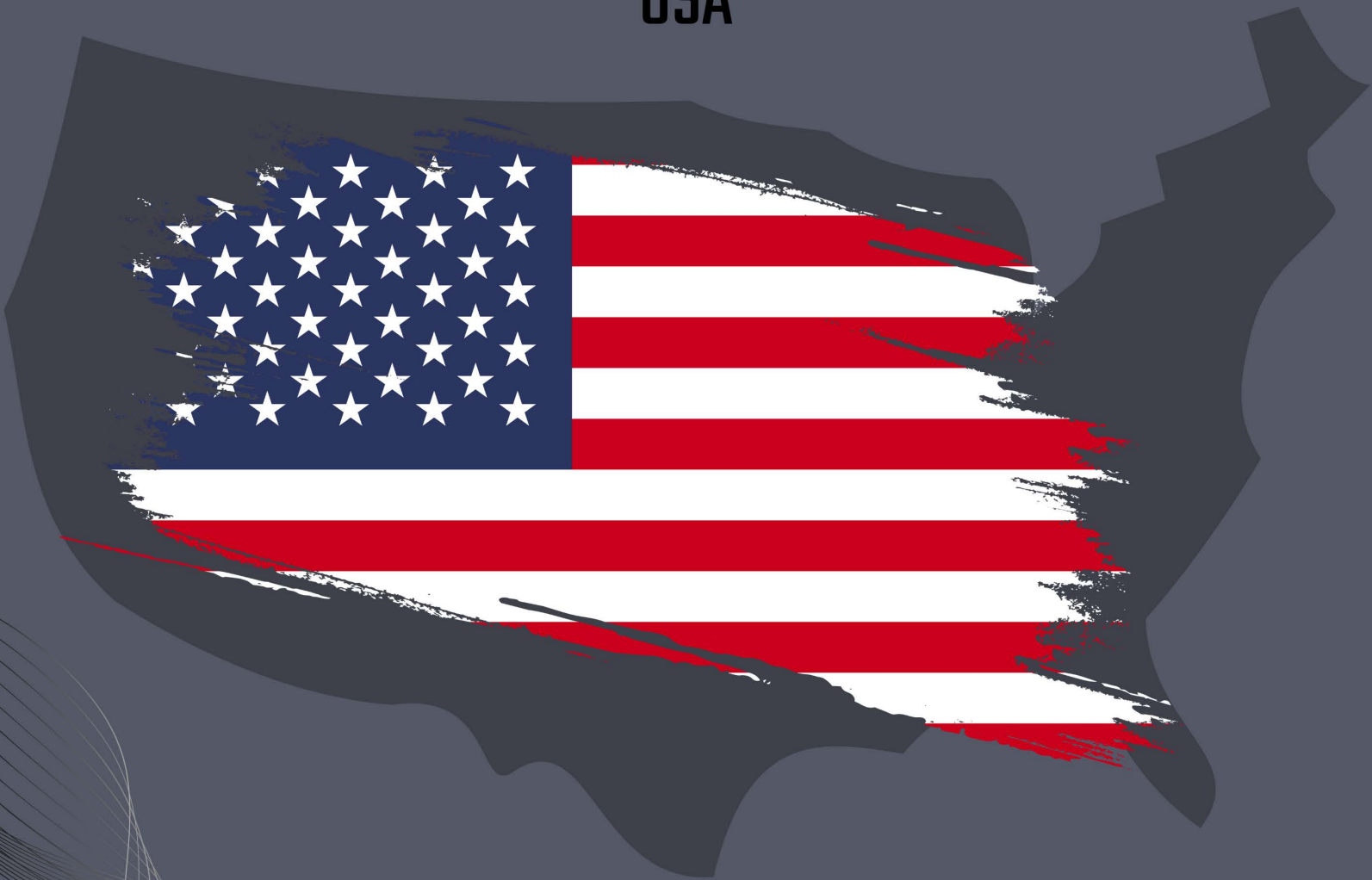


PRICE LIST

2024-2025

USA



SINGLE LANDROLLER (without Transport)

	Product Description	Model	Drum Size	Net Setup*	Price
6'	LRS06101 6' Single Landroller	L650S	X3650 - 36" x 1/2" Drum (0.500")	\$ -	\$ 9,200.00
	LRS06201 6' Single Landroller	L650S	X4263 - 42" x 5/8" Drum (0.625")	\$ -	\$ 9,500.00
	LRS06301 6' Single Landroller	L650S	X4275 - 42" x 3/4" Drum (0.750")	\$ -	\$ 10,000.00
8'	LRS08101 8' Single Landroller	L850S	X3650 - 36" x 1/2" Drum (0.500")	\$ -	\$ 10,900.00
	LRS08201 8' Single Landroller	L850S	X4263 - 42" x 5/8" Drum (0.625")	\$ -	\$ 11,300.00
	LRS08301 8' Single Landroller	L850S	X4275 - 42" x 3/4" Drum (0.750")	\$ -	\$ 11,900.00
10'	LRS10101 10' Single Landroller	L1050S	X3650 - 36" x 1/2" Drum (0.500")	\$ -	\$ 12,800.00
	LRS10201 10' Single Landroller	L1050S	X4263 - 42" x 5/8" Drum (0.625")	\$ -	\$ 13,200.00
	LRS10301 10' Single Landroller	L1050S	X4275 - 42" x 3/4" Drum (0.750")	\$ -	\$ 13,800.00
12'	LRS12101 12' Single Landroller	L1250S	X3650 - 36" x 1/2" Drum (0.500")	\$ -	\$ 15,300.00
	LRS12201 12' Single Landroller	L1250S	X4263 - 42" x 5/8" Drum (0.625")	\$ -	\$ 15,700.00
	LRS12301 12' Single Landroller	L1250S	X4275 - 42" x 3/4" Drum (0.750")	\$ -	\$ 16,600.00
15'	LRS15101 15' Single Landroller	L1550S	X3650 - 36" x 1/2" Drum (0.500")	\$ -	\$ 17,500.00
	LRS15201 15' Single Landroller	L1550S	X4263 - 42" x 5/8" Drum (0.625")	\$ -	\$ 18,000.00
	LRS15301 15' Single Landroller	L1550S	X4275 - 42" x 3/4" Drum (0.750")	\$ -	\$ 19,000.00
20'	LRS20101 20' Single Landroller	L2050S	X3650 - 36" x 1/2" Drum (0.500")	\$ -	\$ 21,300.00
	LRS20201 20' Single Landroller	L2050S	X4263 - 42" x 5/8" Drum (0.625")	\$ -	\$ 22,000.00
	LRS20301 20' Single Landroller	L2050S	X4275 - 42" x 3/4" Drum (0.750")	\$ -	\$ 23,100.00
OPTIONS	AA001090 Clevis Hitch Insert			\$ -	\$ 80.00
	AA001089 Pintle Wedge Kit			\$ -	\$ 75.00
	AA001001 Mechanical Acre Counter for 36" Drum			\$ -	\$ 325.00
	AA001002 Mechanical Acre Counter for 42" Drum			\$ -	\$ 325.00
	<i>Select a Colour:</i>				
	Colour - B Colour: BLACK				Included
	Colour - G Colour: GREEN				Included

*All Setup Charges are Required

All prices subject to applicable steel surcharge and taxes



MINI LANDROLLER (with Transport)

	Product Description	Model	Drum Size	Net Setup*	Price
6'	LRM06101 6' Mini Landroller	L650M	X3650 - 36" x 1/2" Drum (0.500")	\$ 200.00	\$ 14,400.00
	LRM06201 6' Mini Landroller	L650M	X4263 - 42" x 5/8" Drum (0.625")	\$ 200.00	\$ 14,900.00
	LRM06301 6' Mini Landroller	L650M	X4275 - 42" x 3/4" Drum (0.750")	\$ 200.00	\$ 15,700.00
	AA005046 <i>Mud Scrapper Kit Option: 6' (36" Drum)</i>			\$	700.00
	AA005044 <i>Mud Scrapper Kit Option: 6' (42" Drum)</i>			\$	700.00
8'	LRM08101 8' Mini Landroller	L850M	X3650 - 36" x 1/2" Drum (0.500")	\$ 200.00	\$ 16,700.00
	LRM08201 8' Mini Landroller	L850M	X4263 - 42" x 5/8" Drum (0.625")	\$ 200.00	\$ 17,200.00
	LRM08301 8' Mini Landroller	L850M	X4275 - 42" x 3/4" Drum (0.750")	\$ 200.00	\$ 18,000.00
	AA005048 <i>Mud Scrapper Kit Option: 8' (36" Drum)</i>			\$	850.00
	AA005045 <i>Mud Scrapper Kit Option: 8' (42" Drum)</i>			\$	850.00
10'	LRM10101 10' Mini Landroller	L1050M	X3650 - 36" x 1/2" Drum (0.500")	\$ 200.00	\$ 20,300.00
	LRM10201 10' Mini Landroller	L1050M	X4263 - 42" x 5/8" Drum (0.625")	\$ 200.00	\$ 20,900.00
	LRM10301 10' Mini Landroller	L1050M	X4275 - 42" x 3/4" Drum (0.750")	\$ 200.00	\$ 22,100.00
	AA005014 <i>Mud Scrapper Kit Option: 10' (36" Drum)</i>			\$	1,050.00
	AA005018 <i>Mud Scrapper Kit Option: 10' (42" Drum)</i>			\$	1,050.00
12'	LRM12101 12' Mini Landroller	L1250M	X3650 - 36" x 1/2" Drum (0.500")	\$ 200.00	\$ 24,100.00
	LRM12201 12' Mini Landroller	L1250M	X4263 - 42" x 5/8" Drum (0.625")	\$ 200.00	\$ 24,900.00
	LRM12301 12' Mini Landroller	L1250M	X4275 - 42" x 3/4" Drum (0.750")	\$ 200.00	\$ 26,200.00
	AA005049 <i>Mud Scrapper Kit Option: 12' (36" Drum)</i>			\$	1,200.00
	AA005047 <i>Mud Scrapper Kit Option: 12' (42" Drum)</i>			\$	1,200.00
15'	LRM15101 15' Mini Landroller	L1550M	X3650 - 36" x 1/2" Drum (0.500")	\$ 200.00	\$ 27,700.00
	LRM15201 15' Mini Landroller	L1550M	X4263 - 42" x 5/8" Drum (0.625")	\$ 200.00	\$ 28,600.00
	LRM15301 15' Mini Landroller	L1550M	X4275 - 42" x 3/4" Drum (0.750")	\$ 200.00	\$ 30,100.00
	AA005016 <i>Mud Scrapper Kit Option: 15' (36" Drum)</i>			\$	1,475.00
	AA005020 <i>Mud Scrapper Kit Option: 15' (42" Drum)</i>			\$	1,475.00
20'	LRM20101 20' Mini Landroller	L2050M	X3650 - 36" x 1/2" Drum (0.500")	\$ 200.00	\$ 33,700.00
	LRM20201 20' Mini Landroller	L2050M	X4263 - 42" x 5/8" Drum (0.625")	\$ 200.00	\$ 34,800.00
	LRM20301 20' Mini Landroller	L2050M	X4275 - 42" x 3/4" Drum (0.750")	\$ 200.00	\$ 36,800.00
	AA005017 <i>Mud Scrapper Kit Option: 20' (36" Drum)</i>			\$	1,900.00
	AA005021 <i>Mud Scrapper Kit Option: 20' (42" Drum)</i>			\$	1,900.00
OPTIONS	AA001090 Clevis Hitch Insert			\$ -	\$ 80.00
	AA001089 Pintle Wedge Kit			\$ -	\$ 75.00
	AA001001 Mechanical Acre Counter for 36" Drum			\$ -	\$ 325.00
	AA001002 Mechanical Acre Counter for 42" Drum			\$ -	\$ 325.00
	KU100002 Mini Landroller Dual Wheel Upgrade Kit (applicable for units under 10')			\$ -	\$ 1,800.00
	KU100005 Mini Landroller HD Wheel Lift Cylinder Upgrade (5" x 12" cylinders)			\$ -	\$ 865.00
	<i>Select a Colour:</i>				
	Colour - B	Colour: BLACK			Included
	Colour - G	Colour: GREEN			Included

*All Setup Charges are Required

All prices subject to applicable steel surcharge and taxes



All Prices in USD

In Effect Until Apr. 30, 2025

Page 2

Subject to change
at Manufacturer's Discretion
All Prices FOB Plum Coulee, MB

INLINE LANDROLLER

	Product Description	Model	Drum Size	Net Setup*	Price
10'	LRI10101 10' Inline Landroller	L1050I	X3650 - 36" x 1/2" Drum (0.500")	\$ 300.00	\$ 28,000.00
	LRI10201 10' Inline Landroller	L1050I	X4263 - 42" x 5/8" Drum (0.625")	\$ 300.00	\$ 29,000.00
	LRI10301 10' Inline Landroller	L1050I	X4275 - 42" x 3/4" Drum (0.750")	\$ 300.00	\$ 30,500.00
	AA005014 Mud Scraper Kit Option: 10' (36" Drum)			\$ -	\$ 1,050.00
	AA005018 Mud Scraper Kit Option: 10' (42" Drum)			\$ -	\$ 1,050.00
13'	LRI13101 13' Inline Landroller	L1350I	X3650 - 36" x 1/2" Drum (0.500")	\$ 300.00	\$ 31,000.00
	LRI13201 13' Inline Landroller	L1350I	X4263 - 42" x 5/8" Drum (0.625")	\$ 300.00	\$ 32,100.00
	LRI13301 13' Inline Landroller	L1350I	X4275 - 42" x 3/4" Drum (0.750")	\$ 300.00	\$ 33,800.00
	AA005015 Mud Scraper Kit Option: 13' (36" Drum)			\$ -	\$ 1,305.00
	AA005019 Mud Scraper Kit Option: 13' (42" Drum)			\$ -	\$ 1,305.00
15'	LRI15101 15' Inline Landroller	L1550I	X3650 - 36" x 1/2" Drum (0.500")	\$ 300.00	\$ 33,000.00
	LRI15201 15' Inline Landroller	L1550I	X4263 - 42" x 5/8" Drum (0.625")	\$ 300.00	\$ 34,100.00
	LRI15301 15' Inline Landroller	L1550I	X4275 - 42" x 3/4" Drum (0.750")	\$ 300.00	\$ 35,900.00
	AA005016 Mud Scraper Kit Option: 15' (36" Drum)			\$ -	\$ 1,475.00
	AA005020 Mud Scraper Kit Option: 15' (42" Drum)			\$ -	\$ 1,475.00
20'	LRI20101 20' Inline Landroller	L2050I	X3650 - 36" x 1/2" Drum (0.500")	\$ 300.00	\$ 38,100.00
	LRI20201 20' Inline Landroller	L2050I	X4263 - 42" x 5/8" Drum (0.625")	\$ 300.00	\$ 39,400.00
	LRI20301 20' Inline Landroller	L2050I	X4275 - 42" x 3/4" Drum (0.750")	\$ 300.00	\$ 41,500.00
	AA005017 Mud Scraper Kit Option: 20' (36" Drum)			\$ -	\$ 1,900.00
	AA005021 Mud Scraper Kit Option: 20' (42" Drum)			\$ -	\$ 1,900.00
OPTIONS	AA001090 Clevis Hitch Insert			\$ -	\$ 80.00
	AA001089 Pintle Wedge Kit			\$ -	\$ 75.00
	AA001001 Mechanical Acre Counter for 36" Drum			\$ -	\$ 325.00
	AA001002 Mechanical Acre Counter for 42" Drum			\$ -	\$ 325.00
	<i>Select a Colour:</i>				
Colour - B	Colour: BLACK				Included
Colour - G	Colour: GREEN				Included

***All Setup Charges are Required**

****All prices subject to applicable steel surcharge and taxes****

3-PLEX LANDROLLER

	Product Description	Model	Drum Size	Net Setup*	Price	
30'	LR330101	30' 3-Plex Landroller	L3060	X3650 - 36" x 1/2" Drum (0.500")	\$ 900.00	\$ 68,400.00
	LR330201	30' 3-Plex Landroller	L3060	X4263 - 42" x 5/8" Drum (0.625")	\$ 900.00	\$ 70,800.00
	LR330301	30' 3-Plex Landroller	L3060	X4275 - 42" x 3/4" Drum (0.750")	\$ 900.00	\$ 74,600.00
	AA005022	Mud Scraper Kit Option: 30' (36" Drum)			\$ -	\$ 2,935.00
	AA005001	Mud Scraper Kit Option: 30' (42" Drum)			\$ -	\$ 2,935.00
34'	LR334101	34' 3-Plex Landroller	L3460	X3650 - 36" x 1/2" Drum (0.500")	\$ 900.00	\$ 70,900.00
	LR334201	34' 3-Plex Landroller	L3460	X4263 - 42" x 5/8" Drum (0.625")	\$ 900.00	\$ 73,200.00
	LR334301	34' 3-Plex Landroller	L3460	X4275 - 42" x 3/4" Drum (0.750")	\$ 900.00	\$ 77,300.00
	AA005023	Mud Scraper Kit Option: 34' (36" Drum)			\$ -	\$ 3,540.00
	AA005002	Mud Scraper Kit Option: 34' (42" Drum)			\$ -	\$ 3,540.00
40'	LR340101	40' 3-Plex Landroller	L4060	X3650 - 36" x 1/2" Drum (0.500")	\$ 900.00	\$ 81,000.00
	LR340201	40' 3-Plex Landroller	L4060	X4263 - 42" x 5/8" Drum (0.625")	\$ 900.00	\$ 83,700.00
	LR340301	40' 3-Plex Landroller	L4060	X4275 - 42" x 3/4" Drum (0.750")	\$ 900.00	\$ 88,200.00
	AA005024	Mud Scraper Kit Option: 40' (36" Drum)			\$ -	\$ 3,640.00
	AA005003	Mud Scraper Kit Option: 40' (42" Drum)			\$ -	\$ 3,640.00
42'	LR342101	42' 3-Plex Landroller	L4260	X3650 - 36" x 1/2" Drum (0.500")	\$ 900.00	\$ 82,400.00
	LR342201	42' 3-Plex Landroller	L4260	X4263 - 42" x 5/8" Drum (0.625")	\$ 900.00	\$ 85,200.00
	LR342301	42' 3-Plex Landroller	L4260	X4275 - 42" x 3/4" Drum (0.750")	\$ 900.00	\$ 89,800.00
	AA005025	Mud Scraper Kit Option: 42' (36" Drum)			\$ -	\$ 4,220.00
	AA005004	Mud Scraper Kit Option: 42' (42" Drum)			\$ -	\$ 4,220.00
45'	LR345101	45' 3-Plex Landroller	L4560	X3650 - 36" x 1/2" Drum (0.500")	\$ 900.00	\$ 84,500.00
	LR345201	45' 3-Plex Landroller	L4560	X4263 - 42" x 5/8" Drum (0.625")	\$ 900.00	\$ 87,300.00
	LR345301	45' 3-Plex Landroller	L4560	X4275 - 42" x 3/4" Drum (0.750")	\$ 900.00	\$ 92,000.00
	AA005026	Mud Scraper Kit Option: 45' (36" Drum)			\$ -	\$ 4,280.00
	AA005005	Mud Scraper Kit Option: 45' (42" Drum)			\$ -	\$ 4,280.00
50'	LR350101	50' 3-Plex Landroller	L5060	X3650 - 36" x 1/2" Drum (0.500")	\$ 900.00	\$ 87,600.00
	LR350201	50' 3-Plex Landroller	L5060	X4263 - 42" x 5/8" Drum (0.625")	\$ 900.00	\$ 90,600.00
	LR350301	50' 3-Plex Landroller	L5060	X4275 - 42" x 3/4" Drum (0.750")	\$ 900.00	\$ 95,500.00
	AA005027	Mud Scraper Kit Option: 50' (36" Drum)			\$ -	\$ 4,895.00
	AA005006	Mud Scraper Kit Option: 50' (42" Drum)			\$ -	\$ 4,895.00

*All Setup Charges are Required

All prices subject to applicable steel surcharge and taxes



3-PLEX LANDROLLER CONT'D

	Product Description	Model	Drum Size	Net Setup*	Price
60'	LR360101 60' 3-Plex Landroller	L6050	X3650 - 36" x 1/2" Drum (0.500")	\$ 900.00	\$ 106,000.00
	LR360201 60' 3-Plex Landroller	L6050	X4263 - 42" x 5/8" Drum (0.625")	\$ 900.00	\$ 109,500.00
	AA005034 Mud Scraper Kit Option: 60' (36" Drum)			\$ -	\$ 5,880.00
	AA005042 Mud Scraper Kit Option: 60' (42" Drum)			\$ -	\$ 5,880.00
61'	LR361101 61' 3-Plex Landroller	L6150	X3650 - 36" x 1/2" Drum (0.500")	\$ 900.00	\$ 106,700.00
	LR361201 61' 3-Plex Landroller	L6150	X4263 - 42" x 5/8" Drum (0.625")	\$ 900.00	\$ 110,300.00
	AA005035 Mud Scraper Kit Option: 61' (36" Drum)			\$ -	\$ 5,980.00
	AA005043 Mud Scraper Kit Option: 61' (42" Drum)			\$ -	\$ 5,980.00
OPTIONS	AA001090 Clevis Hitch Insert			\$ -	\$ 80.00
	AA001089 Pintle Wedge Kit			\$ -	\$ 75.00
	AA006000 Pintle Hitch Kit: Category 5			\$ -	\$ 625.00
	AA001001 Mechanical Acre Counter for 36" Drum			\$ -	\$ 325.00
	AA001002 Mechanical Acre Counter for 42" Drum			\$ -	\$ 325.00
	KU100020 Implement Tire Upgrade ST235/80R16-14ply (30'-50' Only)			\$ -	\$ 2,000.00
	KU100006 Implement Tire Upgrade (IF280/70R15)			\$ -	\$ 4,500.00
	<i>Select a Colour:</i>				
	Colour - B Colour: BLACK				Included
	Colour - G Colour: GREEN				Included

***All Setup Charges are Required**

****All prices subject to applicable steel surcharge and taxes****

5-PLEX LANDROLLER

	Product Description	Model	Drum Size	Net Setup*	Price
62'	LR562201 62' 5-Plex Landroller	L6260	X4263 - 42" x 5/8" Drum (0.625")	\$ 1,700.00	\$ 128,200.00
	AA005007 <i>Mud Scraper Kit Option: 62'</i>			\$ -	\$ 5,705.00
65'	LR565201 65' 5-Plex Landroller	L6560	X4263 - 42" x 5/8" Drum (0.625")	\$ 1,700.00	\$ 130,200.00
	AA005008 <i>Mud Scraper Kit Option: 65'</i>			\$ -	\$ 6,315.00
70'	LR570201 70' 5-Plex Landroller	L7060	X4263 - 42" x 5/8" Drum (0.625")	\$ 1,700.00	\$ 136,300.00
	AA005009 <i>Mud Scraper Kit Option: 70'</i>			\$ -	\$ 6,375.00
75'	LR575201 75' 5-Plex Landroller	L7560	X4263 - 42" x 5/8" Drum (0.625")	\$ 1,700.00	\$ 141,800.00
	AA005010 <i>Mud Scraper Kit Option: 75'</i>			\$ -	\$ 7,040.00
80'	LR580201 80' 5-Plex Landroller	L8060	X4263 - 42" x 5/8" Drum (0.625")	\$ 1,700.00	\$ 147,300.00
	AA005011 <i>Mud Scraper Kit Option: 80'</i>			\$ -	\$ 7,075.00
85'	LR585201 85' 5-Plex Landroller	L8560	X4263 - 42" x 5/8" Drum (0.625")	\$ 1,700.00	\$ 152,800.00
	AA005012 <i>Mud Scraper Kit Option: 85'</i>			\$ -	\$ 7,105.00
OPTIONS	AA001002 Mechanical Acre Counter for 42" Drum			\$ -	\$ 325.00
	AA006000 Pintle Hitch Kit: Category 5			\$ -	\$ 625.00
	KU100021 Implement Tire Upgrade (ST235/80R16-14ply): 5-Plex			\$ -	\$ 4,000.00
	KU100019 Implement Tire Upgrade (IF280/70R15): 5-Plex			\$ -	\$ 9,000.00
	<i>Select a Colour:</i>				
Colour - B	Colour: BLACK				Included
Colour - G	Colour: GREEN				Included

***All Setup Charges are Required**

****All prices subject to applicable steel surcharge and taxes****

COVER CROP CRIMPER

	Product Description	Model	Drum Size	Net Setup*	Price
WELD-ON	LRI15801 15' Inline CC Crimper	L1550I	CB36A - 36" x 1/2" Drum (0.500")	\$ 300.00	\$ 39,500.00
	LRI20801 20' Inline CC Crimper	L2050I	CB36A - 36" x 1/2" Drum (0.500")	\$ 300.00	\$ 51,900.00
	LR330801 30' 3-Plex CC Crimper	L3060	CB36A - 36" x 1/2" Drum (0.500")	\$ 900.00	\$ 78,700.00
	LR332801 32' 3-Plex CC Crimper	L3260	CB36A - 36" x 1/2" Drum (0.500")	\$ 900.00	\$ 83,700.00
	LR334801 34' 3-Plex CC Crimper	L3460	CB36A - 36" x 1/2" Drum (0.500")	\$ 900.00	\$ 86,700.00
	LR340801 40' 3-Plex CC Crimper	L4060	CB36A - 36" x 1/2" Drum (0.500")	\$ 900.00	\$ 99,100.00
BOLT-ON	LRI16601 16' Inline CC Crimper	L1650I	CB36B - 36" x 1/2" Drum (0.500")	\$ 300.00	\$ 45,800.00
	LRI20601 20' Inline CC Crimper	L2050I	CB36B - 36" x 1/2" Drum (0.500")	\$ 300.00	\$ 57,500.00
	LR334601 34' 3-Plex CC Crimper	L3460	CB36B - 36" x 1/2" Drum (0.500")	\$ 900.00	\$ 96,100.00
	LR342601 42' 3-Plex CC Crimper	L4260	CB36B - 36" x 1/2" Drum (0.500")	\$ 900.00	\$ 114,100.00
OPTIONS	AA001090 Clevis Hitch Insert			\$ -	\$ 80.00
	AA001002 Mechanical Acre Counter for 42" Drum			\$ -	\$ 325.00
	KU100020 Implement Tire Upgrade ST235/80R16-14ply (3-Plex Only)			\$ -	\$ 2,000.00
	KU100006 Implement Tire Upgrade IF280/70R15 (3-Plex Only)			\$ -	\$ 4,500.00
	<i>Select a Colour:</i>				
Colour - B	Colour: BLACK				Included
Colour - G	Colour: GREEN				Included

***All Setup Charges are Required**

****All prices subject to applicable steel surcharge and taxes****



STUBBLE CRUNCHER

	Product Description	Model	Drum Size	Net Setup*	Price
15'	LRI15901 15' Inline Stubble Cruncher	L1550I	SB24B - 24" x 1/2" Drum (0.500")	\$ 300.00	\$ 40,800.00
20'	LR120901 20' Inline Stubble Cruncher	L2050I	SB24B - 24" x 1/2" Drum (0.500")	\$ 300.00	\$ 53,600.00
40'	LR340901 40' 3-Plex Stubble Cruncher	L4060	SB24B - 24" x 1/2" Drum (0.500")	\$ 900.00	\$ 102,800.00
42'	LR342901 42' 3-Plex Stubble Cruncher	L4260	SB24B - 24" x 1/2" Drum (0.500")	\$ 900.00	\$ 106,100.00
OPTIONS	AA001090 Clevis Hitch Insert			\$ -	\$ 80.00
	KU100020 Implement Tire Upgrade ST235/80R16-14ply (3-Plex Only)			\$ -	\$ 2,000.00
	AA001005 Mechanical Acre Counter for 32" Drum			\$ -	\$ 325.00
	<i>Select a Colour:</i>				
	Colour - B Colour: BLACK				Included
Colour - G Colour: GREEN				Included	

***All Setup Charges are Required**

****All prices subject to applicable steel surcharge and taxes****



CHISEL FLEX

	Product Description	Section	Model	Net Setup*	Price
38'	CF038100 38' Chisel Flex (Base Unit)	3-Section	C3820	\$ 1,800.00	\$ 136,800.00
	CF338100 38' Chisel Flex w/ 3-Bar Tine Harrows	3-Section	C3820	\$ 1,800.00	\$ 145,900.00
	CF438100 38' Chisel Flex w/ 4-Bar Tine Harrows	3-Section	C3820	\$ 1,800.00	\$ 149,300.00
40'	CF040100 40' Chisel Flex (Base Unit)	3-Section	C4020	\$ 1,800.00	\$ 138,800.00
	CF340100 40' Chisel Flex w/ 3-Bar Tine Harrows	3-Section	C4020	\$ 1,800.00	\$ 148,000.00
	CF440100 40' Chisel Flex w/ 4-Bar Tine Harrows	3-Section	C4020	\$ 1,800.00	\$ 151,500.00
42'	CF042100 42' Chisel Flex (Base Unit)	3-Section	C4220	\$ 1,800.00	\$ 140,800.00
	CF342100 42' Chisel Flex w/ 3-Bar Tine Harrows	3-Section	C4220	\$ 1,800.00	\$ 150,200.00
	CF442100 42' Chisel Flex w/ 4-Bar Tine Harrows	3-Section	C4220	\$ 1,800.00	\$ 153,700.00
46'	CF046100 46' Chisel Flex (Base Unit)	5-Section	C4620	\$ 1,800.00	\$ 178,800.00
	CF346100 46' Chisel Flex w/ 3-Bar Tine Harrows	5-Section	C4620	\$ 1,800.00	\$ 190,800.00
	CF446100 46' Chisel Flex w/ 4-Bar Tine Harrows	5-Section	C4620	\$ 1,800.00	\$ 195,300.00
50'	CF050100 50' Chisel Flex (Base Unit)	5-Section	C5020	\$ 1,800.00	\$ 184,000.00
	CF350100 50' Chisel Flex w/ 3-Bar Tine Harrows	5-Section	C5020	\$ 1,800.00	\$ 196,300.00
	CF450100 50' Chisel Flex w/ 4-Bar Tine Harrows	5-Section	C5020	\$ 1,800.00	\$ 200,800.00
55'	CF055100 55' Chisel Flex (Base Unit)	5-Section	C5520	\$ 1,800.00	\$ 189,800.00
	CF355100 55' Chisel Flex w/ 3-Bar Tine Harrows	5-Section	C5520	\$ 1,800.00	\$ 202,500.00
	CF455100 55' Chisel Flex w/ 4-Bar Tine Harrows	5-Section	C5520	\$ 1,800.00	\$ 207,200.00
59'	CF059100 59' Chisel Flex (Base Unit)	5-Section	C5920	\$ 1,800.00	\$ 198,300.00
	CF359100 59' Chisel Flex w/ 3-Bar Tine Harrows	5-Section	C5920	\$ 1,800.00	\$ 211,600.00
	CF459100 59' Chisel Flex w/ 4-Bar Tine Harrows	5-Section	C5920	\$ 1,800.00	\$ 216,400.00
65'	CF065100 65' Chisel Flex (Base Unit)	5-Section	C6520	\$ 1,800.00	\$ 215,700.00
	CF365100 65' Chisel Flex w/ 3-Bar Tine Harrows	5-Section	C6520	\$ 1,800.00	\$ 230,100.00
	CF465100 65' Chisel Flex w/ 4-Bar Tine Harrows	5-Section	C6520	\$ 1,800.00	\$ 235,500.00
OPTIONS	AC003700 Bolt-on Rear Hitch: Chisel			\$ -	\$ 4,150.00
	AA006000 Pintle Hitch Kit: Category 5			\$ -	\$ 625.00
	AA040000 Tire Mud Scraper Kit: 3-Section Chisel Flex (38' - 42')			\$ -	\$ 3,850.00
	AA040001 Tire Mud Scraper Kit: 5-Section Chisel Flex (46' - 65')			\$ -	\$ 5,350.00
	<i>Select a Colour:</i>				
Colour - B	Colour: BLACK				Included
Colour - G	Colour: GREEN				Included
Shovel Specifications: 2-Bolt 50 Degree (Not Included in Price)					

***All Setup Charges are Required**

****All prices subject to applicable steel surcharge and taxes****



STORM

	Product Description	Model	Net Setup*	Price
13'	ST013100 13' Euro Storm (Base Unit)	S1320	\$ 1,800.00	\$ 85,600.00
	ST513100 13' Euro Storm w/ Flat Bar Baskets	S1320	\$ 1,800.00	\$ 91,200.00
	ST213100 13' Euro Storm w/ 5-Row Tine Harrow	S1320	\$ 1,800.00	\$ 94,000.00
	ST313100 13' Euro Storm w/ Flat Bar Baskets and 2-Row Tine Harrow	S1320	\$ 1,800.00	\$ 94,000.00
16'	ST016100 16' Euro Storm (Base Unit)	S1620	\$ 1,800.00	\$ 99,500.00
	ST516100 16' Euro Storm w/ Flat Bar Baskets	S1620	\$ 1,800.00	\$ 106,000.00
	ST216100 16' Euro Storm w/ 5-Row Tine Harrow	S1620	\$ 1,800.00	\$ 109,200.00
	ST316100 16' Euro Storm w/ Flat Bar Baskets and 2-Row Tine Harrow	S1620	\$ 1,800.00	\$ 109,200.00
20'	ST020100 20' Euro Storm (Base Unit)	S2020	\$ 1,800.00	\$ 120,100.00
	ST520100 20' Euro Storm w/ Flat Bar Baskets	S2020	\$ 1,800.00	\$ 127,900.00
	ST220100 20' Euro Storm w/ 5-Row Tine Harrow	S2020	\$ 1,800.00	\$ 131,800.00
	ST320100 20' Euro Storm w/ Flat Bar Baskets and 2-Row Tine Harrow	S2020	\$ 1,800.00	\$ 131,800.00
27'	ST027100 27' Storm (Base Unit)	S2730	\$ 1,800.00	\$ 161,500.00
	ST527100 27' Storm w/ Flat Bar Baskets	S2730	\$ 1,800.00	\$ 172,100.00
	ST227100 27' Storm w/ 5-Row Tine Harrow	S2730	\$ 1,800.00	\$ 177,300.00
	ST327100 27' Storm w/ Flat Bar Baskets and 2-Row Tine Harrow	S2730	\$ 1,800.00	\$ 177,300.00
	R9915012 22" Concave Blade Option (65 coulters)		\$ -	\$ 1,300.00
R9915013 22" 13-Wave Blade Option (65 coulters)		\$ -	\$ 1,300.00	
33'	ST033100 33' Storm (Base Unit)	S3320	\$ 1,800.00	\$ 182,100.00
	ST533100 33' Storm w/ Flat Bar Baskets	S3320	\$ 1,800.00	\$ 193,900.00
	ST233100 33' Storm w/ 5-Row Tine Harrow	S3320	\$ 1,800.00	\$ 199,900.00
	ST333100 33' Storm w/ Flat Bar Baskets and 2-Row Tine Harrow	S3320	\$ 1,800.00	\$ 199,900.00
	R9915012 22" Concave Blade Option (81 coulters)		\$ -	\$ 1,620.00
	R9915013 22" 13-Wave Blade Option (81 coulters)		\$ -	\$ 1,620.00
40'	ST040100 40' Storm (Base Unit)	S4020	\$ 1,800.00	\$ 205,900.00
	ST540100 40' Storm w/ Flat Bar Baskets	S4020	\$ 1,800.00	\$ 219,400.00
	ST240100 40' Storm w/ 5-Row Tine Harrow	S4020	\$ 1,800.00	\$ 226,100.00
	ST340100 40' Storm w/ Flat Bar Baskets and 2-Row	S4020	\$ 1,800.00	\$ 226,100.00
	R9915012 22" Concave Blade Option (97 coulters)		\$ -	\$ 1,940.00
	R9915013 22" 13-Wave Blade Option (97 coulters)		\$ -	\$ 1,940.00
OPTIONS	AC003622 Bolt-on Rear Hitch: Storm		\$ -	\$ 2,750.00
	AA001090 Clevis Hitch Insert (available on units 12' - 20')		\$ -	\$ 80.00
	AA006000 Pintle Hitch Kit: Category 5		\$ -	\$ 625.00
	<i>Coulters: Pick One</i>			
	R9915001 20" 13-Wave Coulters			Included
	R9915008 20" Concave Coulters			Included
	<i>Select a Colour:</i>			
	Colour - B Colour: BLACK			Included
Colour - G Colour: GREEN			Included	

*All Setup Charges are Required

All prices subject to applicable steel surcharge and taxes



FIELD SERGEANT

	Product	Description	Tine Option	Model	Net Setup*	Price
52'	FS552200	52' Field Sergeant Heavy Harrow	5-Bar with Carbide Wear Tip	HH5210	\$1,800.00	\$ 90,200.00
	FS552400	52' Field Sergeant Heavy Harrow	7-Bar with Carbide Wear Tip	HH5210	\$1,800.00	\$ 94,600.00
60'	FS560200	60' Field Sergeant Heavy Harrow	5-Bar with Carbide Wear Tip	HH6010	\$1,800.00	\$ 97,800.00
	FS560400	60' Field Sergeant Heavy Harrow	7-Bar with Carbide Wear Tip	HH6010	\$1,800.00	\$ 100,900.00
72'	FS772200	72' Field Sergeant Heavy Harrow	5-Bar with Carbide Wear Tip	HH7210	\$1,800.00	\$ 113,200.00
	FS772400	72' Field Sergeant Heavy Harrow	7-Bar with Carbide Wear Tip	HH7210	\$1,800.00	\$ 115,100.00
84'	FS784200	84' Field Sergeant Heavy Harrow	5-Bar with Carbide Wear Tip	HH8410	\$1,800.00	\$ 124,700.00
	FS784400	84' Field Sergeant Heavy Harrow	7-Bar with Carbide Wear Tip	HH8410	\$1,800.00	\$ 127,600.00
Colour - G Colour: GREEN						Included

***All Setup Charges are Required**

****All prices subject to applicable steel surcharge and taxes****

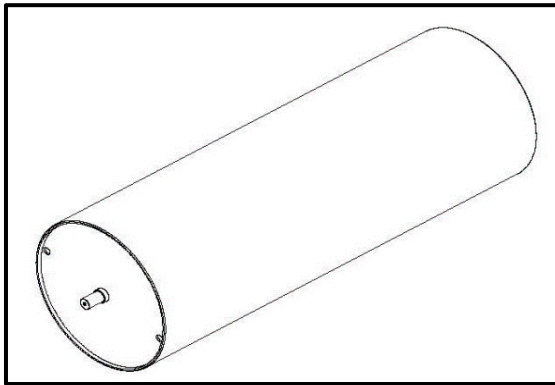


NOTES



DRUM STYLES

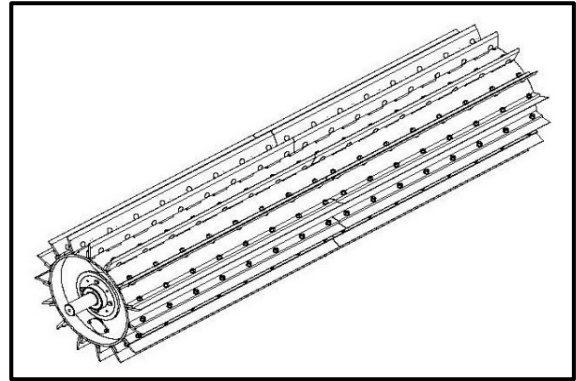
Smooth Drum



X-Style Drum (Smooth)

X3650 - 36" x 1/2" wall
X4263 - 42" x 5/8" wall
X4275 - 42" x 3/4" wall

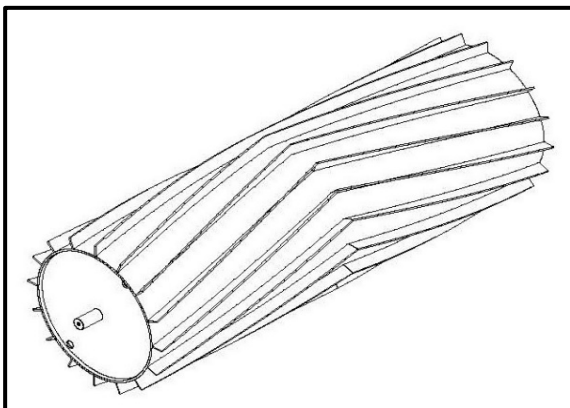
Straight Blade



SB-Style Drum (Straight Blade)

SB24B - 24" x 1/2" wall, Bolt-On, Bevelled

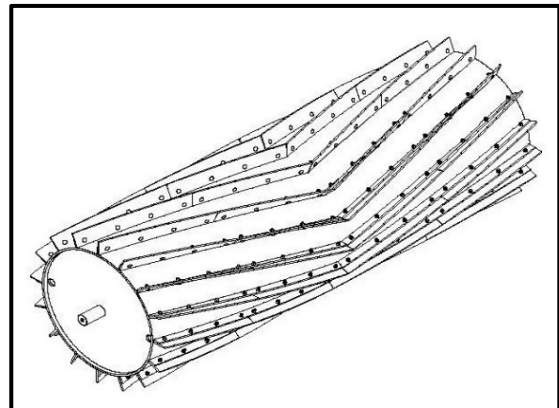
Curved Blade (Weld On)



CB-Style Drum (Curved Blade)

CB36A - 36" x 1/2" wall, Welded

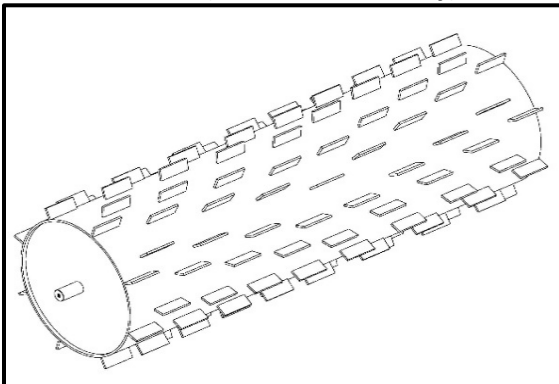
Curved Blade (Weld On)



CB-Style Drum (Curved Blade)

CB36B - 36" x 1/2" wall, Bolt-On, Non-Bevelled

Rice Drum (Custom Order Only)



RS-Style Drum (Rice Stubble)

RS36A - 36" x 1/2" wall, Welded

